



**FOOD
COLLECTION**



CONDIMENTS & TABLE SAUCES

A wide range of jars and bottles designed to make mouths water.



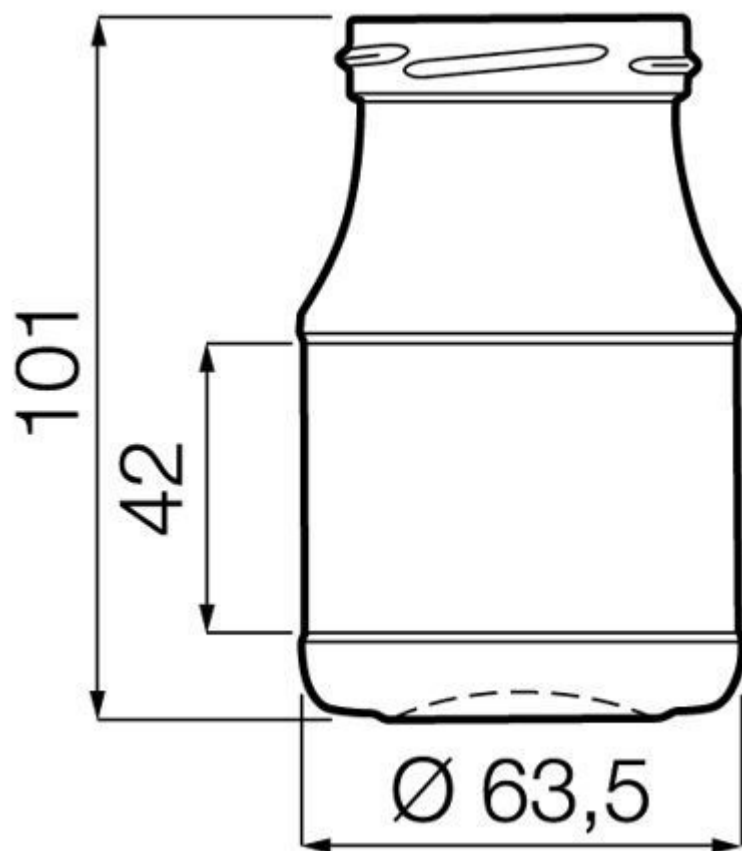
212ML TO/S TO53

AVAILABLE COLORS

 Flint

FLINT
F3006051





TECHNICAL SPECIFICATIONS

Product code	006051
Capacity	21.2 cl
Brimfull capacity	21.2 cl
Height	101.0 mm
Diameter	63.5 mm
Shape	Round
Finish	Wide mouth
Label protection	No
Refillable	No
Weight	115 g
Country	Poland

PACKAGING SPECIFICATIONS

Containers per pallet	5832
Layers per pallet	18
Pallet width	1000 mm
Pallet depth	1200 mm
Pallet height	2006 mm
Gross weight of pallet	706.00 kg

i Other packaging specs are available upon request.

