



**FOOD
COLLECTION**



PRESERVED FRUITS & VEGETABLES

From 10cl to a gallon, every fruit and vegetable will find its jar.



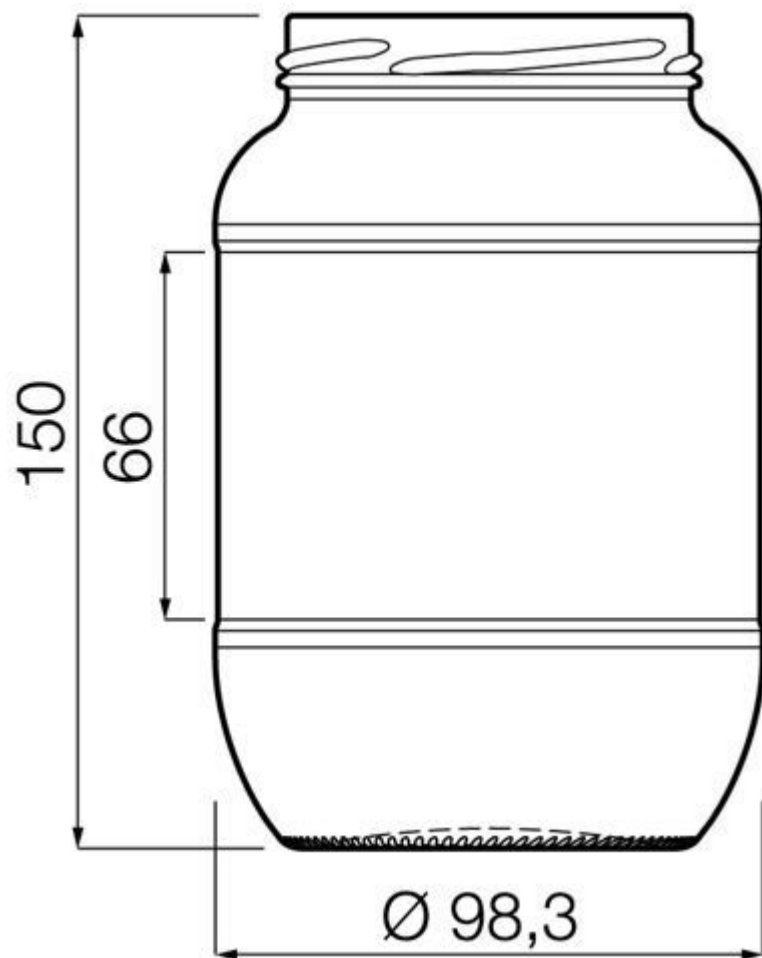
85CL ENCURTIDO TO77

AVAILABLE COLORS

 Flint

FLINT

F3019156



TECHNICAL SPECIFICATIONS

Product code	019156
Capacity	85.0 cl
Brimfull capacity	85.0 cl
Height	150.0 mm
Diameter	98.3 mm
Shape	Round
Finish	Wide mouth
Label protection	No
Refillable	No
Weight	340 g
Country	Spain

PACKAGING SPECIFICATIONS

Containers per pallet	1729
Layers per pallet	13
Pallet width	1000 mm
Pallet depth	1200 mm
Pallet height	2131 mm
Gross weight of pallet	613.00 kg

i Other packaging specs are available upon request.

