



**FOOD
COLLECTION**



PRESERVED FRUITS & VEGETABLES

From 10cl to a gallon, every fruit and vegetable will find its jar.

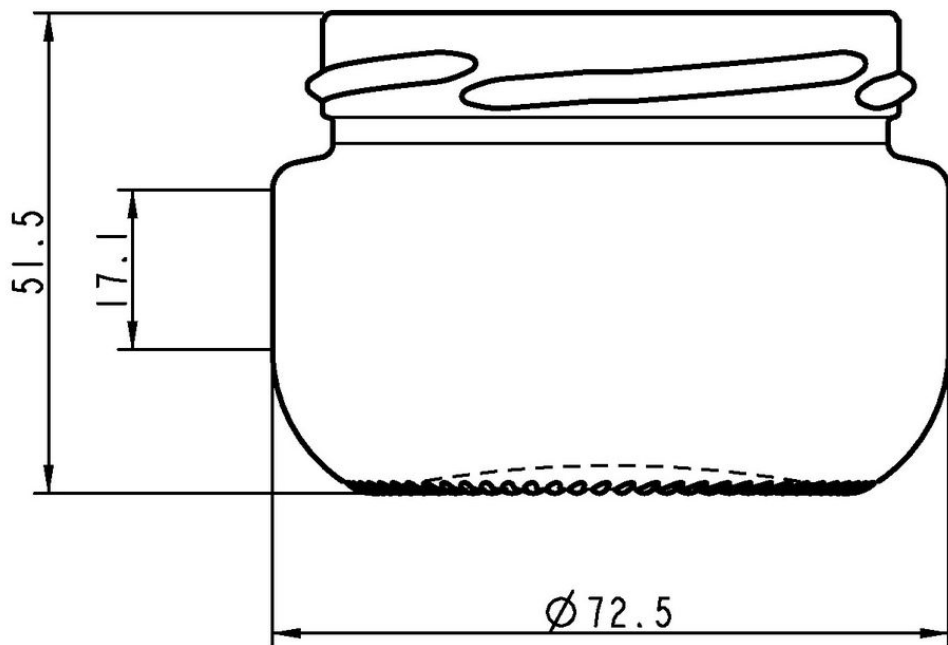


14CL 4 ONZAS TO66

AVAILABLE COLORS

 Flint

FLINT
F3019167



TECHNICAL SPECIFICATIONS

| | |
|-------------------|------------|
| Product code | 019167 |
| Capacity | 14.0 cl |
| Brimfull capacity | 14.0 cl |
| Height | 51.5 mm |
| Diameter | 72.5 mm |
| Shape | Round |
| Finish | Wide mouth |
| Label protection | No |
| Refillable | No |
| Weight | 100 g |
| Country | Spain |

PACKAGING SPECIFICATIONS

| | |
|------------------------|-----------|
| Containers per pallet | 4320 |
| Layers per pallet | 18 |
| Pallet width | 1000 mm |
| Pallet depth | 1200 mm |
| Pallet height | 1117 mm |
| Gross weight of pallet | 472.00 kg |

i Other packaging specs are available upon request.

