



**FOOD
COLLECTION**



PRESERVED FRUITS & VEGETABLES

From 10cl to a gallon, every fruit and vegetable will find its jar.



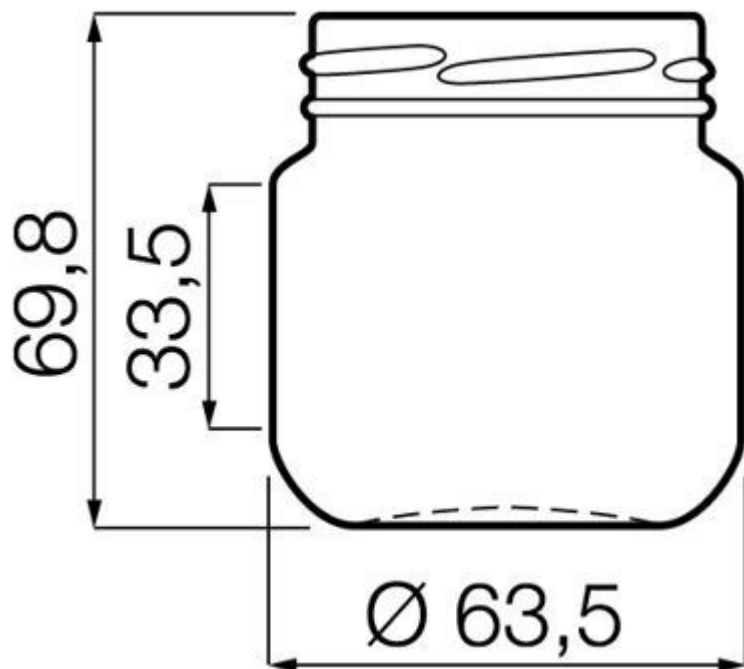
152ML 5 REF TO58

AVAILABLE COLORS

● Flint

FLINT
F3019320





TECHNICAL SPECIFICATIONS

Product code	019320
Capacity	15.2 cl
Brimfull capacity	15.2 cl
Height	70.0 mm
Diameter	63.5 mm
Shape	Round
Finish	Wide mouth
Label protection	No
Refillable	No
Weight	107 g
Country	Spain

PACKAGING SPECIFICATIONS

Containers per pallet	8748
Layers per pallet	27
Pallet width	1000 mm
Pallet depth	1200 mm
Pallet height	2094 mm
Gross weight of pallet	961.00 kg

i Other packaging specs are available upon request.

