



**FOOD  
COLLECTION**



# PRESERVED FRUITS & VEGETABLES

From 10cl to a gallon, every fruit and vegetable will find its jar.



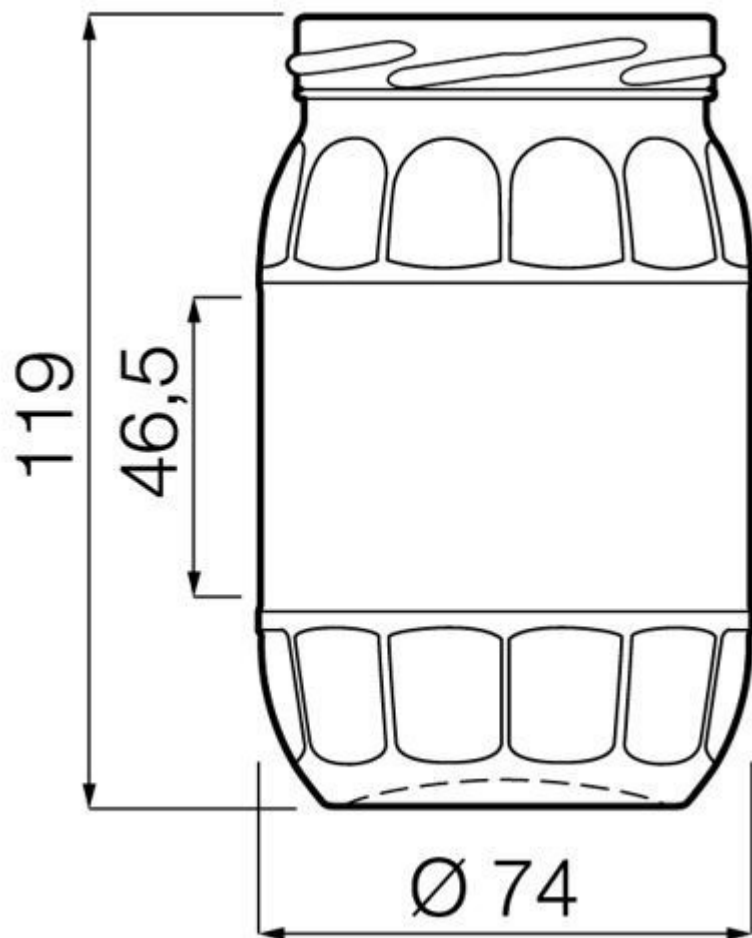
# 37CL BARRIL 370 TO66

AVAILABLE COLORS

 Flint

FLINT  
F3019361





### TECHNICAL SPECIFICATIONS

Product code	019361
Capacity	37.0 cl
Brimfull capacity	37.0 cl
Height	119.0 mm
Diameter	74.0 mm
Shape	Special
Finish	Wide mouth
Label protection	No
Refillable	No
Weight	190 g
Country	Spain

### PACKAGING SPECIFICATIONS

Containers per pallet	3961
Layers per pallet	17
Pallet width	1000 mm
Pallet depth	1200 mm
Pallet height	2121 mm
Gross weight of pallet	795.00 kg

**i** Other packaging specs are available upon request.

