



**FOOD  
COLLECTION**



# PRESERVED FRUITS & VEGETABLES

From 10cl to a gallon, every fruit and vegetable will find its jar.

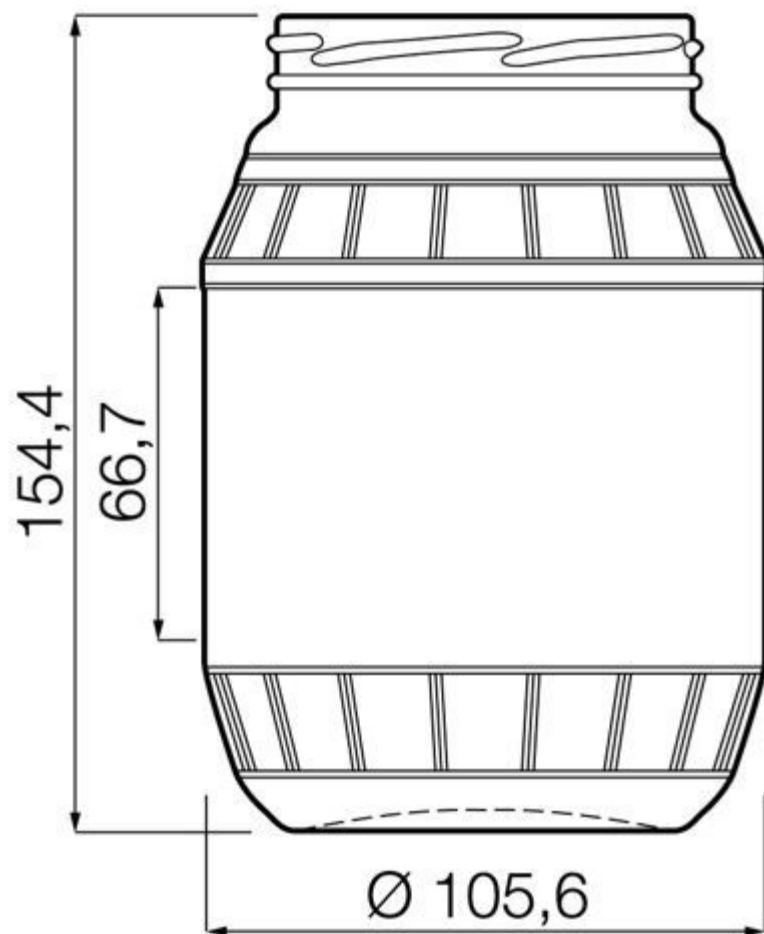


# 997ML BARRIL TO82

AVAILABLE COLORS

 Flint

FLINT  
F3020058



### TECHNICAL SPECIFICATIONS

Product code	020058
Capacity	99.7 cl
Brimfull capacity	99.7 cl
Height	154.0 mm
Diameter	105.6 mm
Shape	Round
Finish	Wide mouth
Label protection	No
Refillable	No
Weight	383 g
Country	Spain

### PACKAGING SPECIFICATIONS

Containers per pallet	1521
Layers per pallet	13
Pallet width	1000 mm
Pallet depth	1200 mm
Pallet height	2184 mm
Gross weight of pallet	622.00 kg

**i** Other packaging specs are available upon request.

